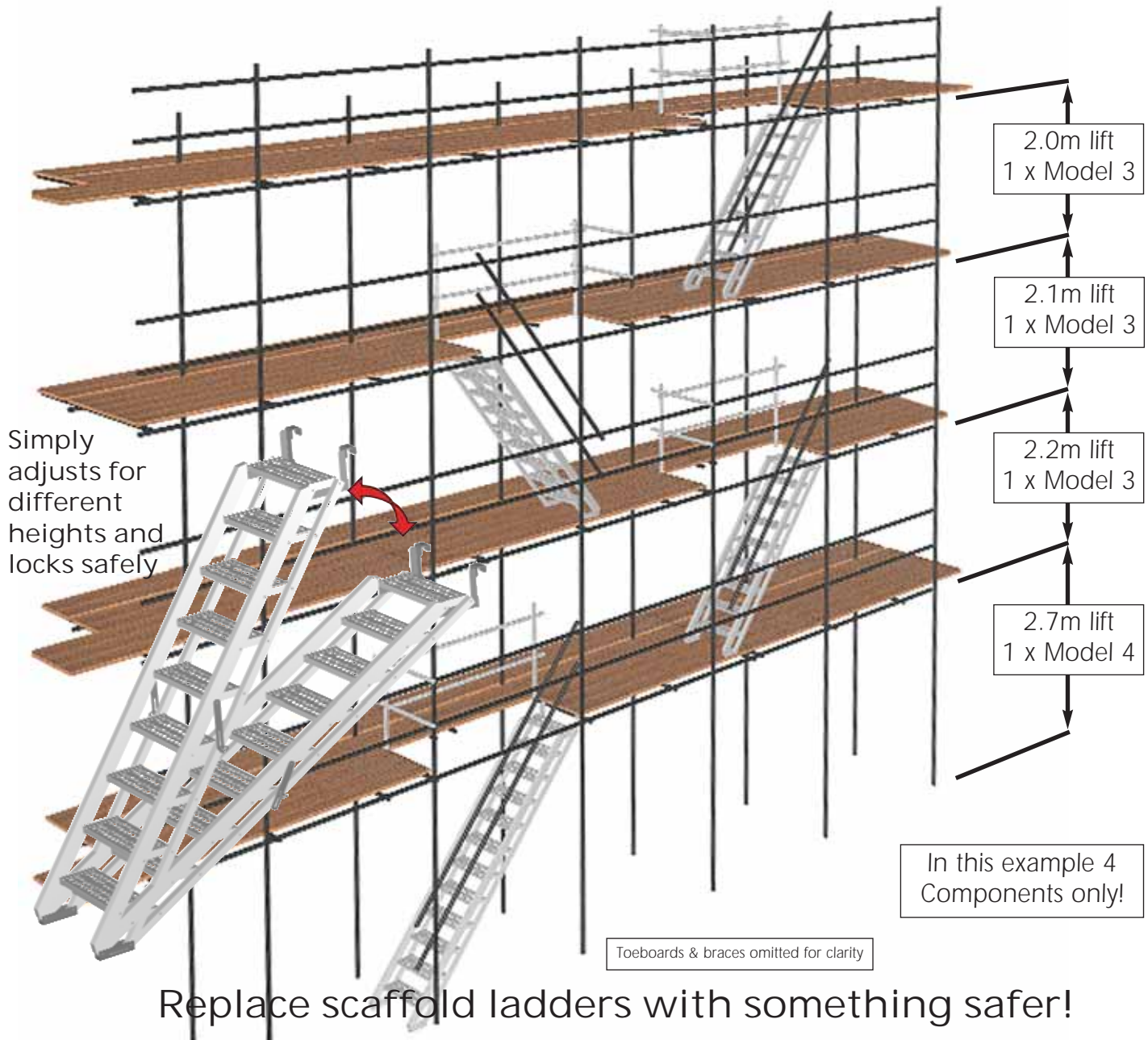


LADDER REPLACEMENT STAIRS

- REPLACES LADDERS within the scaffold structure
- AUTOMATIC lift height adjustment, each model has a wide range
- SIMPLY hooks over a transom
- LIGHTWEIGHT one-man lift
- FITS a 3 boards-wide space, use 2 or 3 board openings
- QUICK to erect, single component completes each flight
- SAFE non-slip treads and built-in locking stays
- SECURE, swing up to prevent unauthorised access
- COMPLIANT with BS EN 12811 & WAHR

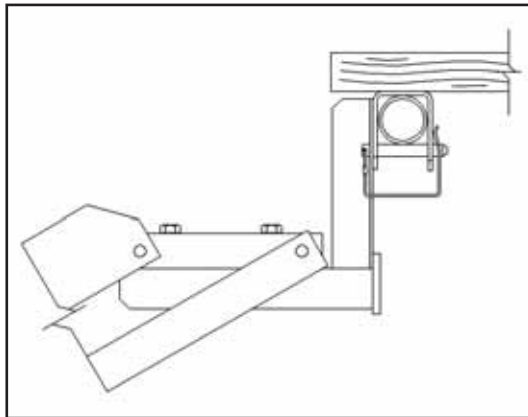


LADDER REPLACEMENT STAIRS

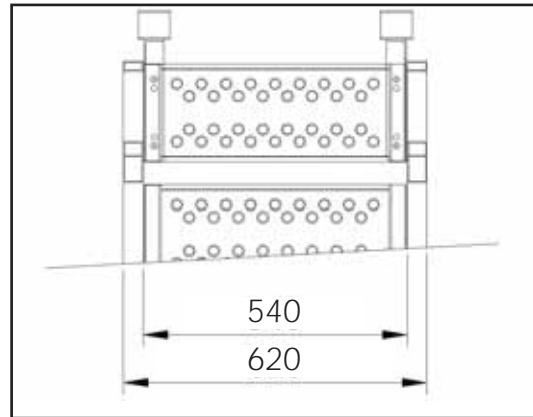
Models available at launch		Steps	Lift Height		Length		Weight
Part No	Model		Min	Max	@ min height	@ max height	
22220001	LR Stair Model 1	3	0.59m	0.86m	1.02m	0.77m	8.1kg
22220003	LR Stair Model 3	9	1.41m	2.21m	2.44m	1.71m	20.4kg
22220004	LR Stair Model 4	12	1.84m	2.91m	3.18m	2.20m	28.6kg

Overall width of all models = 618 mm
Max UDL = 2kN/m²

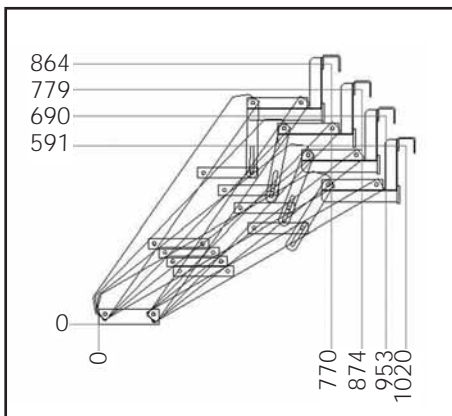
Tread width = 540mm
Max point load = 1.5kN



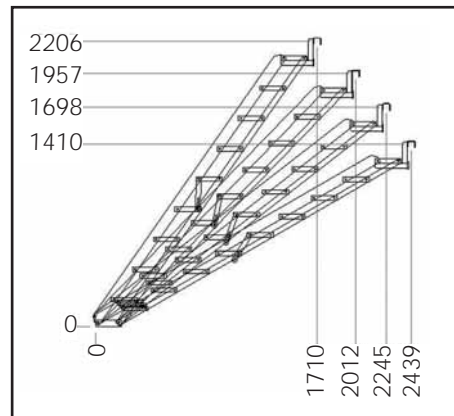
Low profile hook wraps over transom tube under boards, pin to secure against lift-off



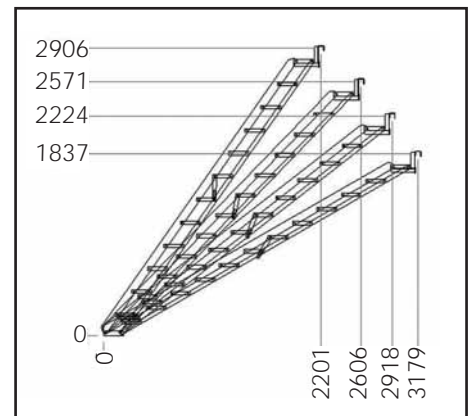
LR series stairs fit into a space 3 boards wide



Height and length range for Model 1



Height and length range for Model 3



Height and length range for Model 4

Other height ranges from 0.45m to 3.3m area available to special order. Guard rails are not supplied.

For a wider stair with integrated guard rails ask for the Universal Stair EX Series.

ASP Registered Design Products are available from:

Advanced Scaffold Products Ltd

Head Office: Unit 2 Bydand Lane Industrial Estate, Little Paxton, St. Neots, Cambs PE19 6EG

Telephone: 0870 609 3370 Fax: 0870 850 3307

Email: info@asp.gb.com

www.asp.gb.com

and nationwide from Hire and Sale stockists