

Description

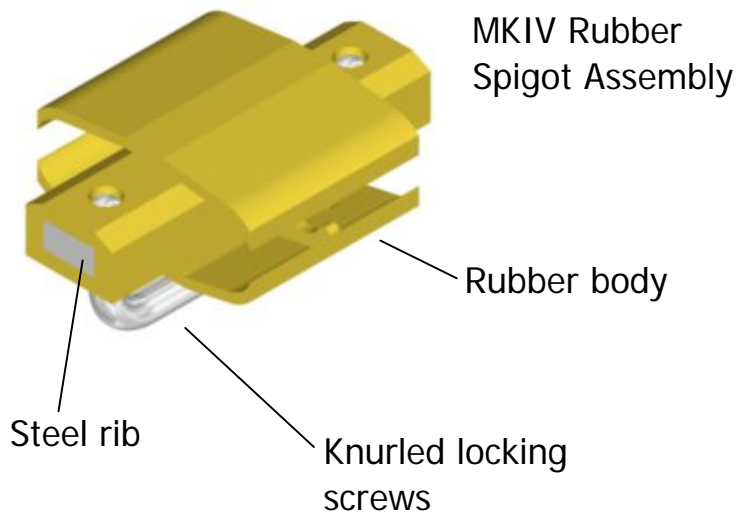
UBIX temporary roofing system. MKIV Rubber tracking spigot.

The new MKIV rubber tracking spigot has been introduced as replacement for the previous MKIII rubber spigot. The MKIV offers enhanced safety during tracking installation by enabling adjacent lengths of track to be 'locked' together by use of the integral locking screws. Ease of installation of MKIV spigot into the aluminium tracking is greatly improved due to changes in geometry.

Tools required

As with previous versions of this spigot no tools are required.

Components



Part details:-

16220001, Rubber Spigot MKIV

Spare Parts:

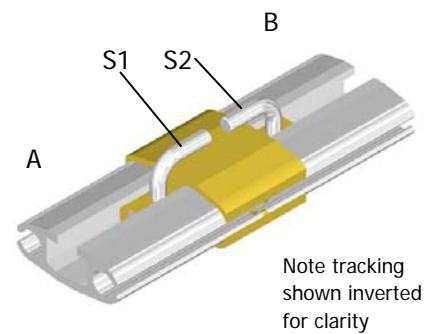
16220001-03, Rubber body x 1

16220001-02, Steel spine x 1

16220001-01, Locking screws x 2

Assembled weight 0.3 kg

Installation



1. Insert rubber spigot into tracking length A, maintain firm pressure whilst locking screw S1 by hand.
- 2 Insert tracking length B onto rubber spigot, maintain firm pressure whilst locking screw S2 by hand.

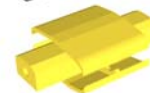
Previous Spigots



Orange MK I



Black MK II



Yellow MK III